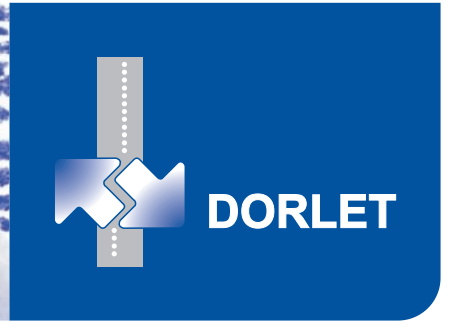


MSO-300 FINGERPRINT

BIOMETRIC FINGERPRINT READER WITH USB CONNECTION

COD 13190000



▶ MSO-300 FINGERPRINT RECOGNISER

CHARACTERISTICS



Biometric fingerprint reader used to register the fingerprints of users in different systems for use in PCs with DORLET DASS access control software.

The recogniser is fitted with a biometric sensor with ARM9™ microprocessor. Reading is performed via an optical sensor with a resolution of 500 dpi. The reading area is 21x21

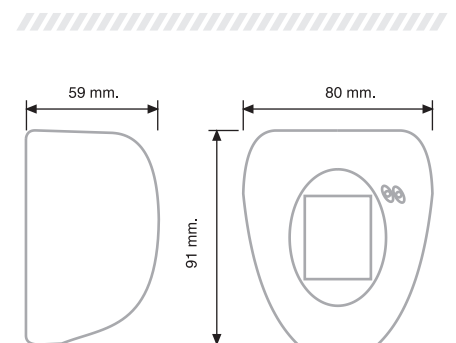
mm.

- Made from high-strength plastic.
- Latest biometric sensor with a resolution of 500 dpi.
- Connectable to any PC with DORLET DASS management software via USB port.

It is manufactured in a table top format, with PC connection via USB port. The unit is supplied with power via the same connection.

▶ TECHNICAL SPECIFICATIONS

Dimensions:	91 x 80 x 59 mm.
Material:	Plastic
PC connection:	USB
Biometric head:	Optical with ARM9™ processor
Resolution:	500 dpi.
Sensor size:	Red LED, green LED and buzzer.
Signalling:	21 x 21 mm.
Power supply:	via USB
Drivers:	Windows XP or higher



The information contained in this document is subject to change without prior warning. Nothing in this document may be interpreted as an additional warranty. DORLET S.A. does not accept responsibility for any errors or technical or editorial omissions contained in this document.