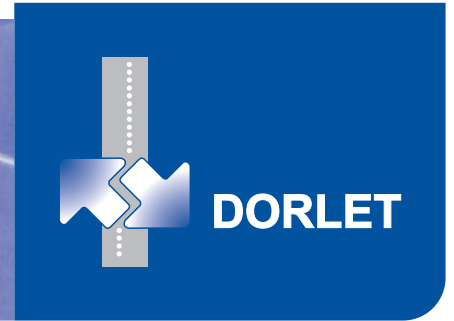
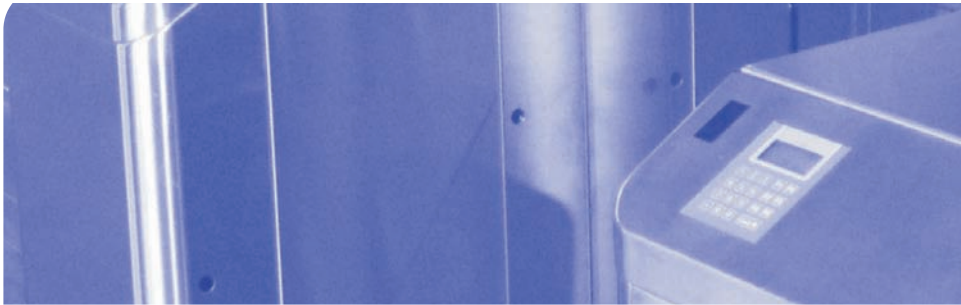


VISITOR CARD PROXIMITY READER

MAILBOX PROXIMITY READER FOR RECOVERING VISITOR CARDS

COD 13044000



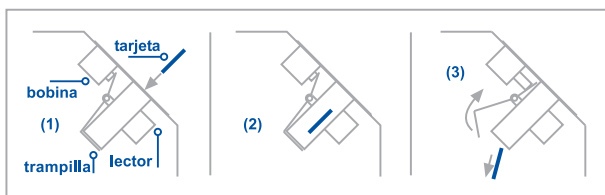
MAILBOX



Mailbox proximity card reader, especially designed for installations with visitor management systems. Allows for recovery of expired cards, including casing and clip, designed for installation in gates, turnstiles, posts...

Its operation is simple:

- The visitor inserts the card into the frontal opening (1). Inside the device, the card is read by the proximity reader (2).
- If the visitor's card needs to be returned, the mailbox will take it, through the rear hatch which opens with an electromechanical coil. At this point the card will drop down to a box inside(3). The turnstile/barrier/gate... are not opened until a photocell in the box detects that the card has been collected.

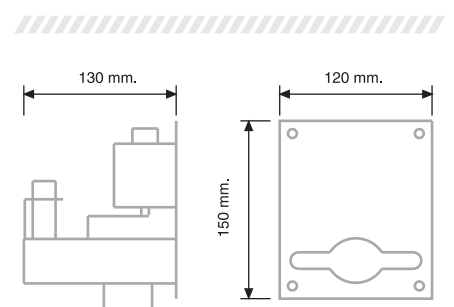


TECHNICAL SPECIFICATIONS

Dimensions:	120 x 150 x 130 mm.
Reading mode:	Proximity.
Power supply:	24 VDC
Power consumption:	250 mA
Signalling:	Red LED, green LED, buzzer (optional)
Wiring:	8 shielded cables (up to 120 meters)

FEATURES

- Supplied with the necessary proximity reading technology (INDALA, HID, MIFARE...).
- Can be connected to red/green indicator LEDs and buzzer.
- Allows for recovery of visitor cards with casing and clip.
- Appropriate for indoors and outdoors (needs to be protected against rain).
- Built-in installation on posts, turnstiles, gates.... The reader can be mounted on an inclined or 90° plane, since the card is recovered by gravity.
- Can be connected to any AS series CPU (1 box per CPU).



PRODUCT CODES

- 13044000: PRX-MIFARE mailbox reader
- 10097000: PRX-INDALA mailbox reader
- 13033000: PRX-HID mailbox reader

The information in this document is subject to changes without notice. Nothing herein contained shall be interpreted as an additional guarantee. DORLET S.A. shall not be liable for any technical or editorial errors or omissions that this document may contain.

DORLET Parque Tecnológico de Alava C/Albert Einstein, 34 01510 Miñano Mayor ALAVA SPAIN
Tel. 945 29 87 90 Fax. 945 29 81 33 dorlet@dorlet.com
DORLET MENA Office N°3402, HDS Tower P.O Box: 116899 JLT DUBAI UNITED ARAB EMIRATES
Tel. +971 4 4541346 Fax. +971 4 4541347 info-mena@dorlet.com

www.dorlet.com

1 of 1